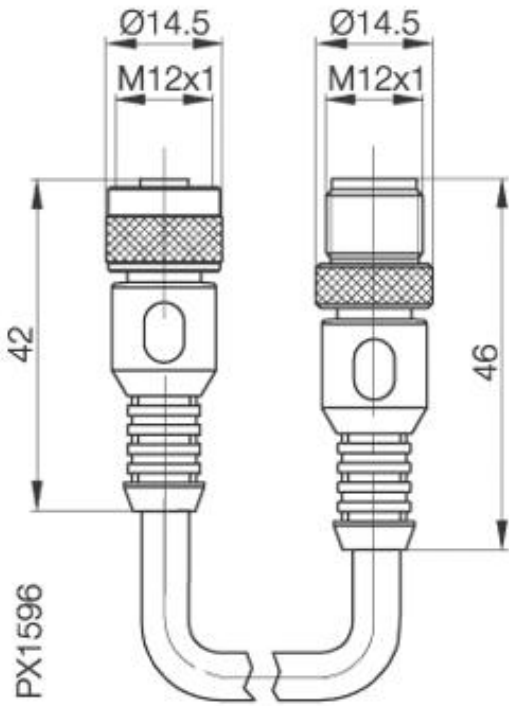


## Accessories: Connectors BKS-B 19-1-GS4-PU-



### Common Data

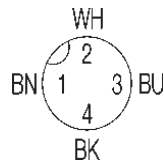
Version	Connector, straight, 3-pins
Usable with	on Sensors with connection S4 (DC, NO, M12)
Ambient temperature	-25°C...+85°C

### Mechanical Data

Measurements WxHxD or Dia x D	42xØ14,5 + 46xØ14,5
Material	TPU
Protection class per IEC 60529	IP67
Cable version	3xLifY Y-11Y-0
Conductor cross section	3x0,34

### Electrical Data

Supply voltage	10...30V DC
----------------	-------------



Datasheet number::

Definitions see general catalog.  
If not otherwise noted, ratings according to IEC 60947-5-2 (DIN EN60947-5-2)

Balluff GmbH  
Schurwaldstrasse 9  
73765 Neuhausen a.d.F.  
Phone (07158) 173-0 Fax (07158) 5010

Datenblatt by CD-ROM - 04/2007

**BALLUFF**  
sensors worldwide